



输出功率: 约0.1~5W  
精密金属齿轮无刷减速电机

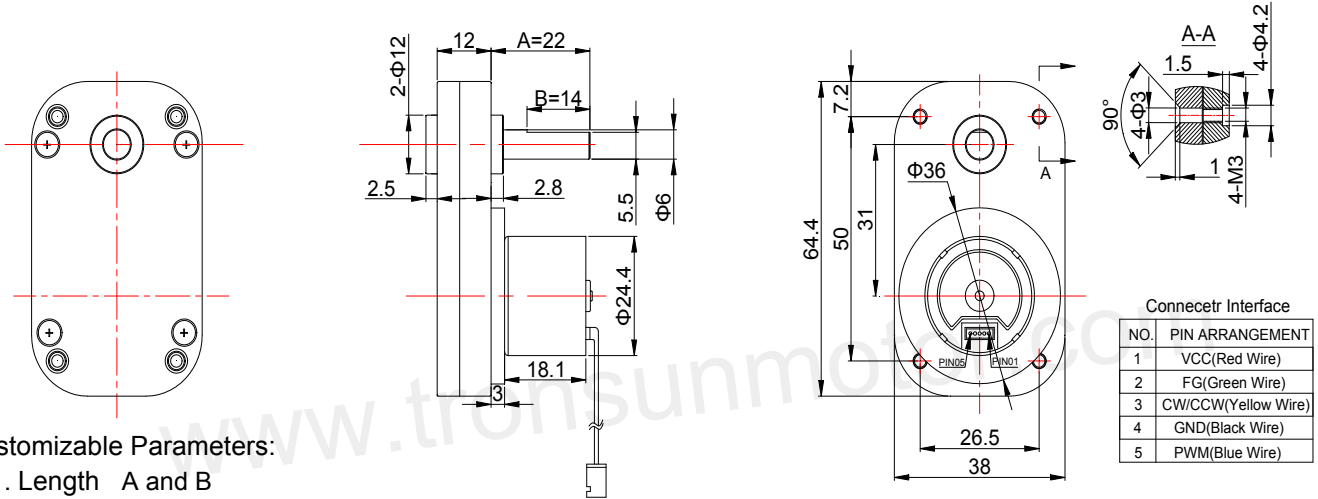
OUTPUT: APPROX 0.1~5W  
Precision Metal Brushless Gear Motor

典型应用: 智能家居  
智能机器人  
自动售货机  
阀门

Typical Applications: Smart Home Appliance  
Smart Robot  
Vending Machine  
Valve

## 1. OUTLINE DRAWING:

UNIT:MM



View:



## 2. GEARBOX REDUCTION RATIO:

Gearbox Length (mm)	Stage Number	Reduction Ratio					Rated Torque	Bearable Maximum Instant Torque
		kg.cm						
64.4 x 38 x 12	3	36/1	40/1	60/1	67/1		3.0	6.0
	4	85/1	90/1	114/1	120/1	200/1	6.0	10.0
	4	96/1	101/1	128/1	135/1	225/1	8.0	15.0
	5	400/1	450/1				10.0	20.0

## 3. MOTOR PERFORMANCE :

1N.m ≈ 10.2kg.cm ≈ 14.2oz.in

MODEL	REDUCTION RATIO	VOLTAGE		NO LOAD			AT MAXIMUM EFFICIENCY				STALL	
		OPERATING RANGE	NOMINAL	SPEED	CURRENT	SPEED	CURRENT	TORQUE	OUTPUT	TORQUE	CURRENT	
			V	rpm	A	rpm	A	kg.cm	W	kg.cm	A	
38GF2418-40-12160	40/1	8.0~15.0	12.0	160	0.06	120	0.18	0.6	0.74	2.5	0.52	
38GF2418-135-1248	135/1	8.0~15.0	12.0	48	0.06	35	0.18	2.0	0.72	7.6	0.52	
38GF2418-225-2440	225/1	8.0~25.0	24.0	40	0.07	29.5	0.2	5.0	1.51	19.3	0.59	
38GF2418-450-2420	450/1	8.0~25.0	24.0	20	0.07	14	0.23	10.0	1.44	34.5	0.59	